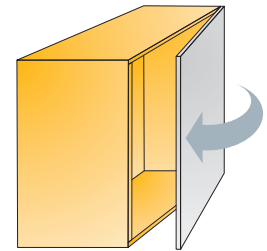
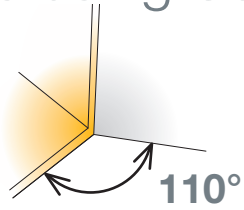


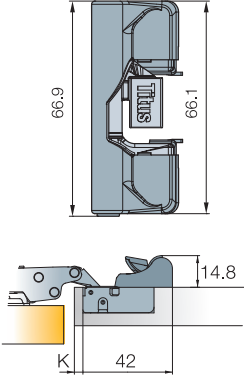


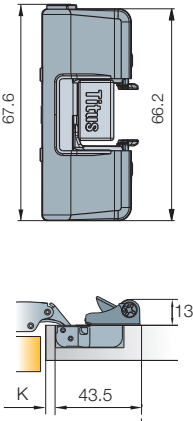


Glissando TL

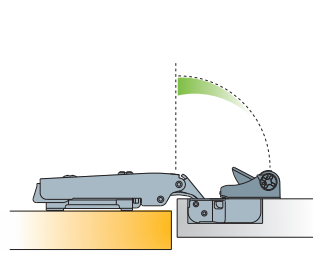
Add-on Hinge Soft Closing Solution

For 110° hinges

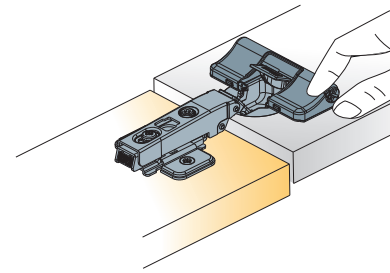


Technical details		Hinge opening angle	Damping force	Interaxis 45mm	Interaxis 48mm
				Item number	Item number
 <p>Glissando TL 'snap-on' · T-type 110</p>   <p>200 Pcs Made of steel and plastic</p>	110°		729-0K71-054		
	 <p>Glissando TL 'snap-on' · S-type plus 110 · S-type 110 · B-type 110</p>   <p>200 Pcs Made of steel and plastic</p>	110°	■ 45N	951-0X94-050	
110°		■ 35N	951-0P59-050		
110°		■ 60N	951-0P63-050		

- Same item can be used on all crankings and angled hinges
- Designed to fit the concealed hinge cup and requires no extra space inside the cabinet
- Adjustable damping
- Toolless mounting



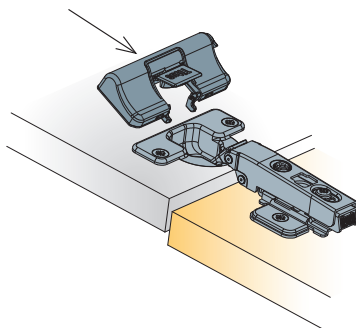
Adjustable damping zone



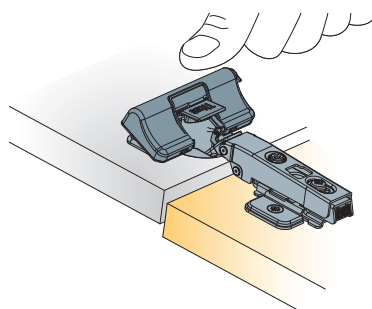
Turn towards '+' to increase and '-' to decrease the damping

Mounting details

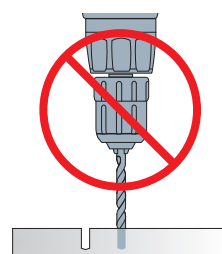
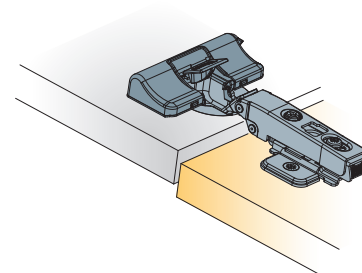
Toolless assembly



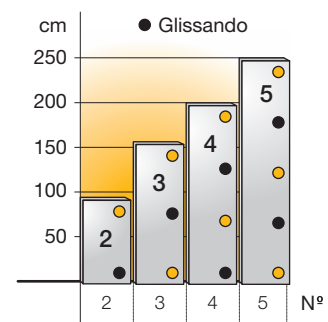
Insert Glissando TL into the holes on the hinge



Press down



No additional drilling is required

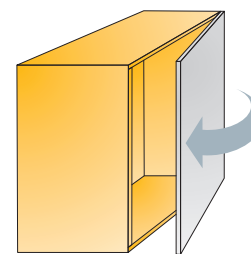


Recommended number per door and positioning

Glissando TL 170

Add-on Hinge Soft Closing Solution

For T-type 170, S-type 170 and B-type 170



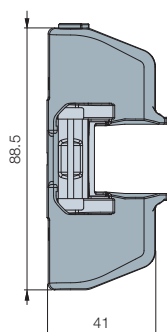
Technical details

Hinge opening angle	Item number
170°	951-0F15-650

Glissando TL 170
'snap-on'



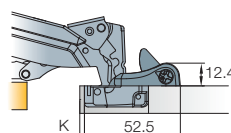
Soft closing mechanism



Box content
100 pcs soft closing mechanisms
100 pcs striking plates



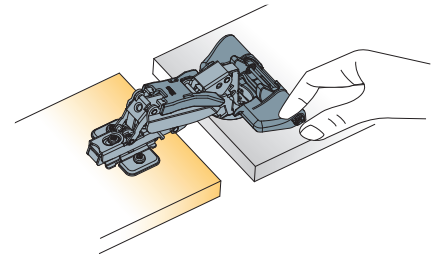
Striking plate



Made of steel and plastic

- Gentle and reliable soft closing on doors with wider opening angle
- Fits perfectly 45/9.5mm, 48/6mm and 52/5.5mm hinge cups
- Furniture consumers' preferred 'ConfidentClose'
- Tool free mounting

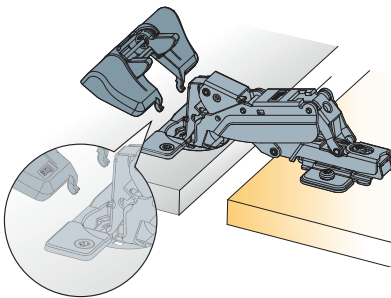
Damping adjustment



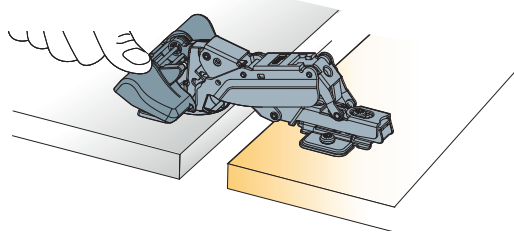
Turn towards '+' to increase and '-' to decrease the damping

Mounting details

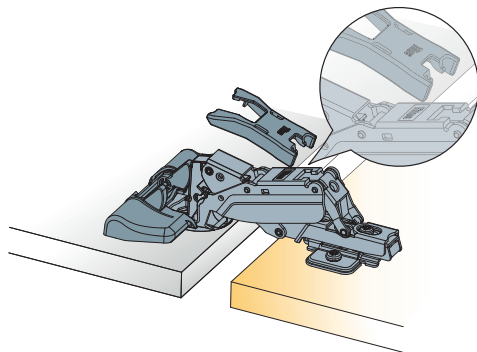
Toolless mounting



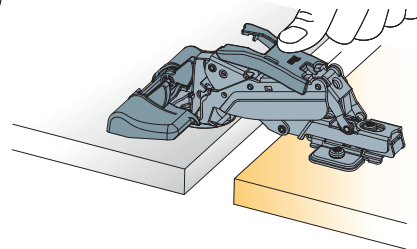
Insert Glissando TL 170 into the holes on the hinge cup



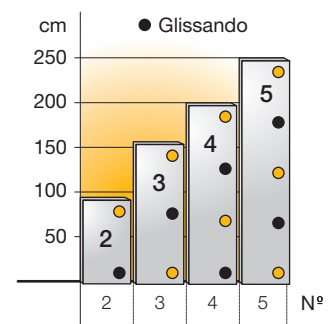
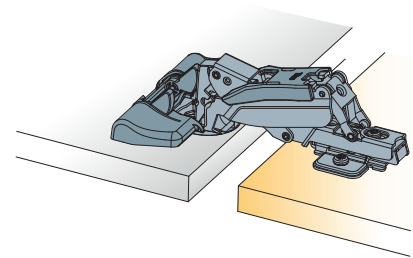
Press down



Place the striking plate into the hole on the hinge arm



Press down



Recommended number per door and positioning